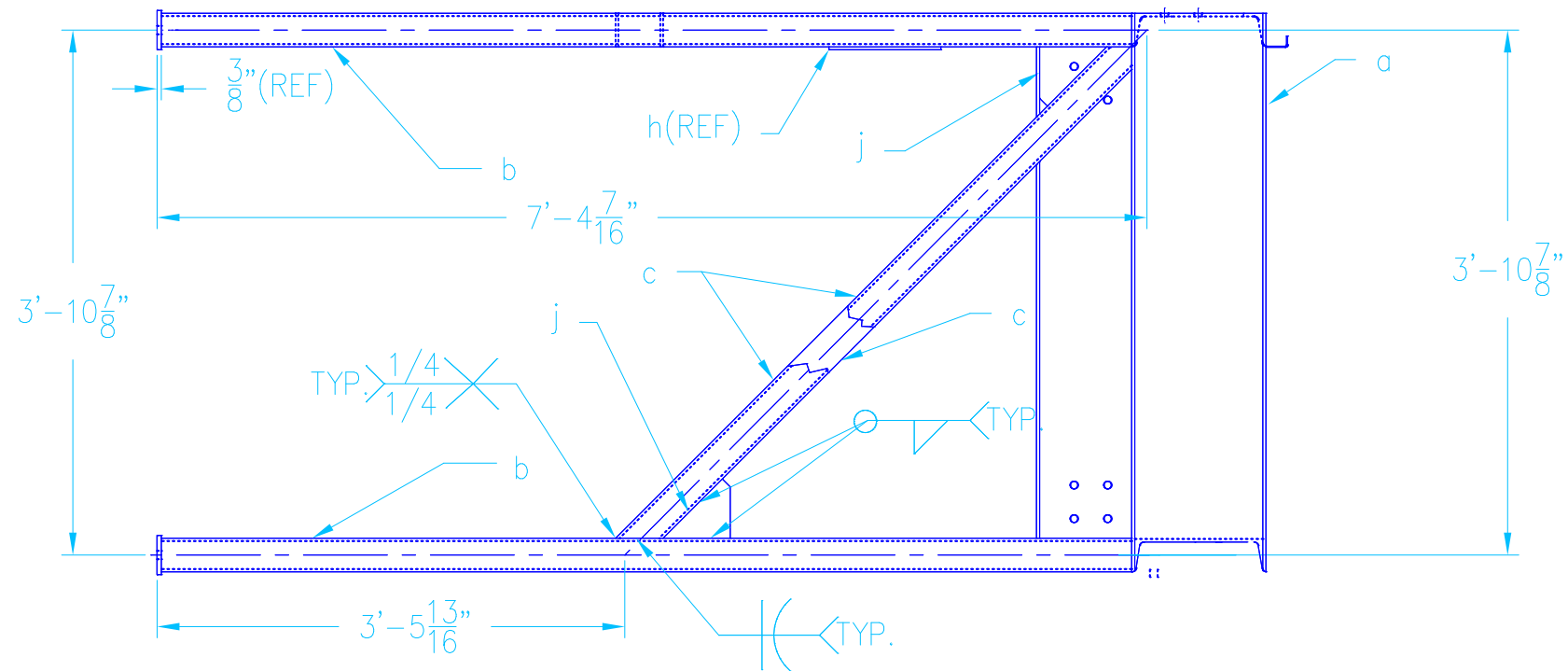
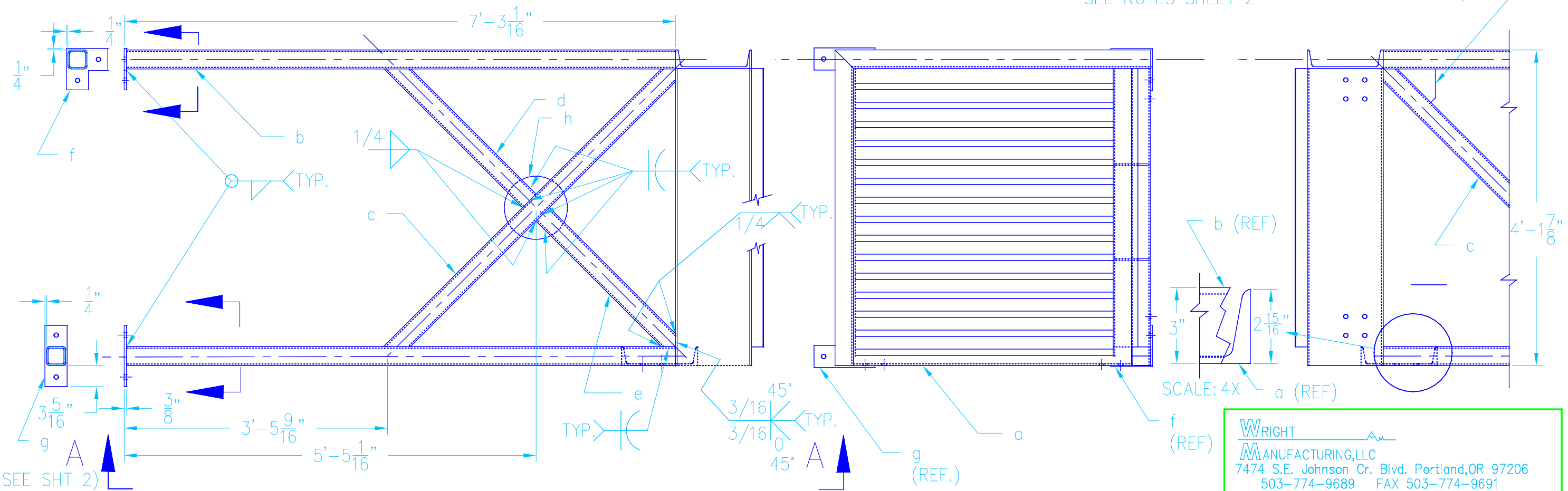


REVISIONS				
ZONE	REV	DESCRIPTION	DATE	APPROVED



MARK	QTY.	DESCRIPTION	IN.	COMMENTS
5A		LANDING		
a	1	8A DECK		
b	4	TS 3 X 3 X 1/4	87"	
c	3	TS 3 X 3 X 1/4	65"	
d	1	TS 3 X 3 X 1/4	32"	
e	1	TS 3 X 3 X 1/4	31"	
f	2	PL 3/8 X7"X7"		
g	2	PL 3/8 X4"X10"		
h	1	PL 1/4 X12"X12"		
j	4	PL 1/4 X12"X12"		

SEE NOTES SHEET 2



(ONE REQ'D) LANDING MK.5A

SCALE FACTOR: 16

**WRIGHT**  
 MANUFACTURING, LLC  
 7474 S.E. Johnson Cr. Blvd. Portland, OR 97206  
 503-774-9689 FAX 503-774-9691

**JOB: HERZOG-MEIER STAIR**  
**DRAWN BY: W. GEIER-CADDHAUS**  
 DATE: 9/22/06  
 SCALE: 3/4"=1'

DWG.# 5      SHT: 1 of 2